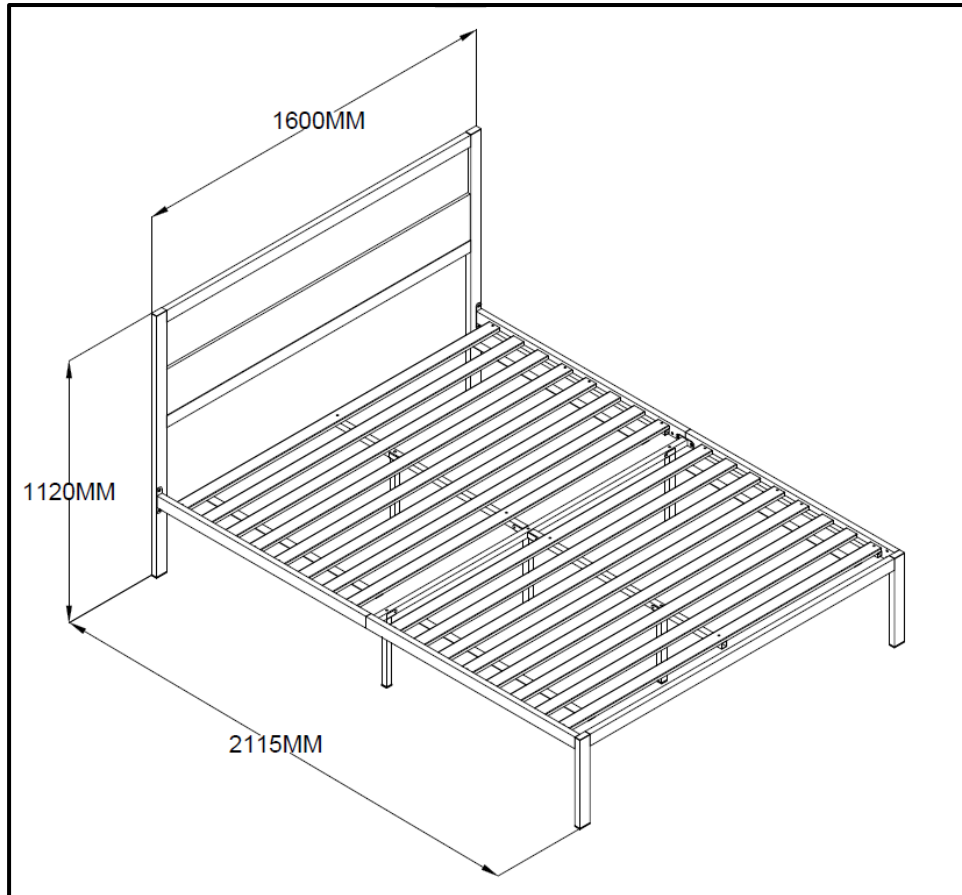


ASSEMBLY INSTRUCTION
HERNANDEZ QUEEN BED
84859

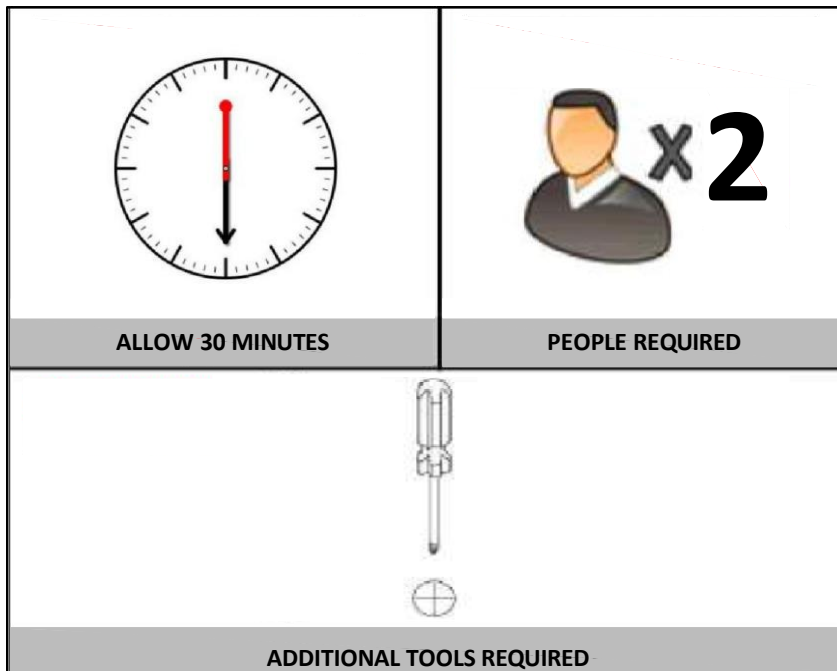


Imported by JWA Furniture Pty Ltd, Qld, Brisbane Australia.
For any assistance with assembly or for missing parts please refer to your receipt

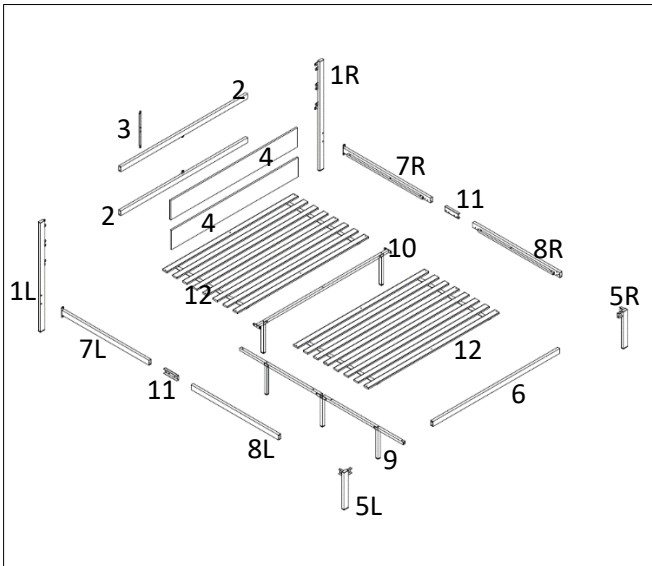
PRE-ASSEMBLY PREPARATION

Before you start:


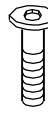
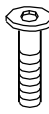



1. Choose a clean, level, spacious assembly area. Avoid hard surfaces that may damage the product
2. Take care when lifting. Product should be assembled as near as possible to the point of use
3. Ensure that you have all required contents for complete assembly
4. Always read the assembly instructions carefully before beginning assembly.
5. Keep all hardware parts and packaging out of reach of small children.
6. Do not over tighten the screws and bolts as this may damage the threads



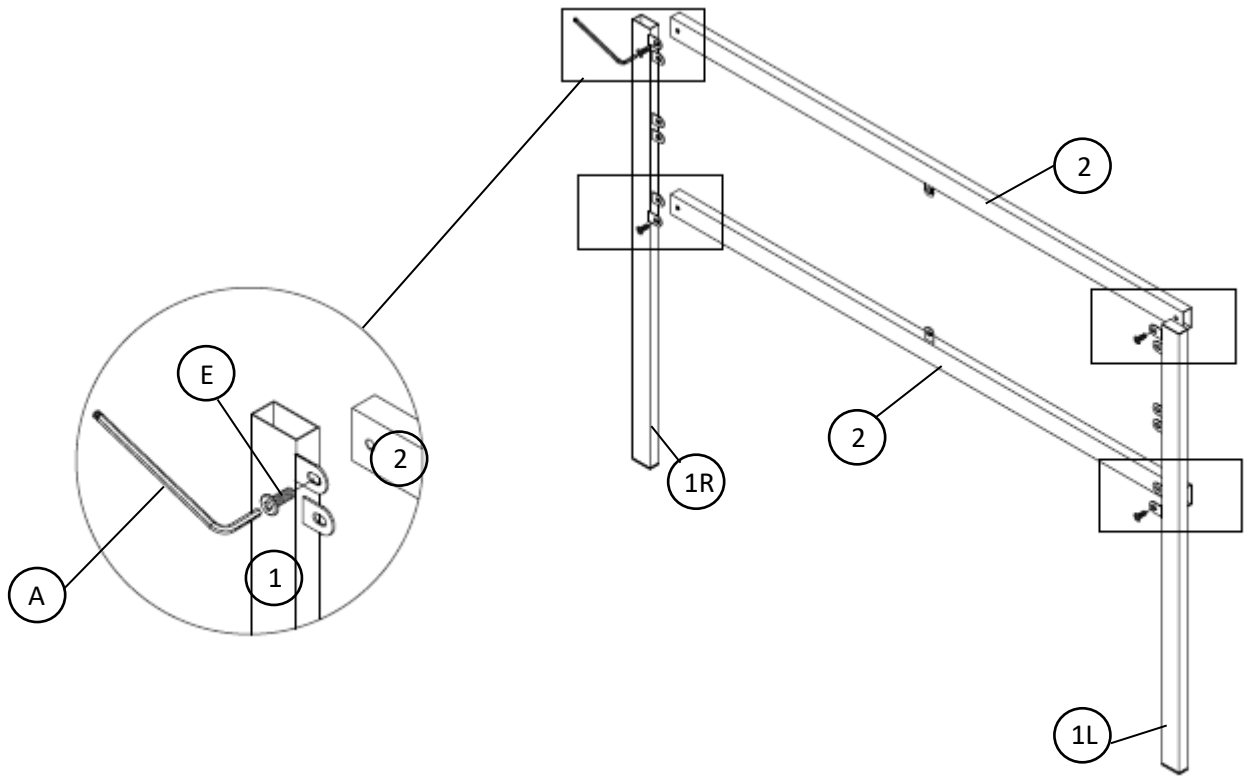
PARTS LIST



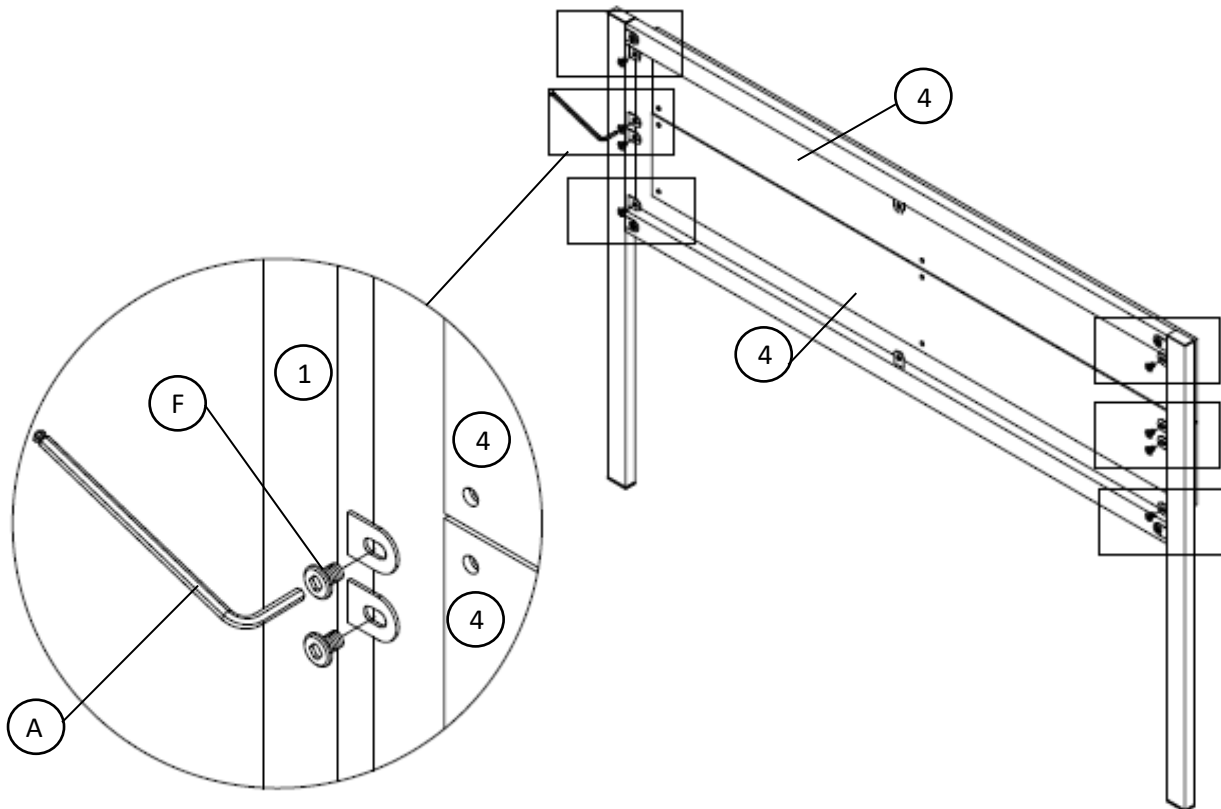
1L	HEADBOARD PANEL – LEFT
1R	HEADBOARD PANEL - RIGHT
2	HEADBOARD TOP & BOTTOM
3	HEADBOARD CENTER
4	HEADBOARD BOARD
5L	FOOTBOARD PANEL – LEFT
5R	FOOTBOARD PANEL – RIGHT
6	FOOTBOARD
7L	SIDE RAIL (BRACKET) – LEFT
7R	SIDE RAIL (BRACKET) – RIGHT
8L	SIDE RAIL (W/O) BRACKET – LEFT
8R	SIDE RAIL (W/O) BRACKET – RIGHT
9	CENTER RAIL
10	CENTER SUPPORT
11	BRACKET
12	SLATS

<p>A Allen Key M4</p>  <p>1xA</p>	<p>B JCBC M6 x 40mm</p>  <p>5xB</p>	<p>C JCBC M6 x 30mm</p>  <p>20xC</p>
<p>D JCBC M6 x 25mm</p>  <p>4xD</p>	<p>E JCBC M6 x 20mm</p>  <p>28xE</p>	<p>F JCBC M6 x 10mm</p>  <p>8xF</p>

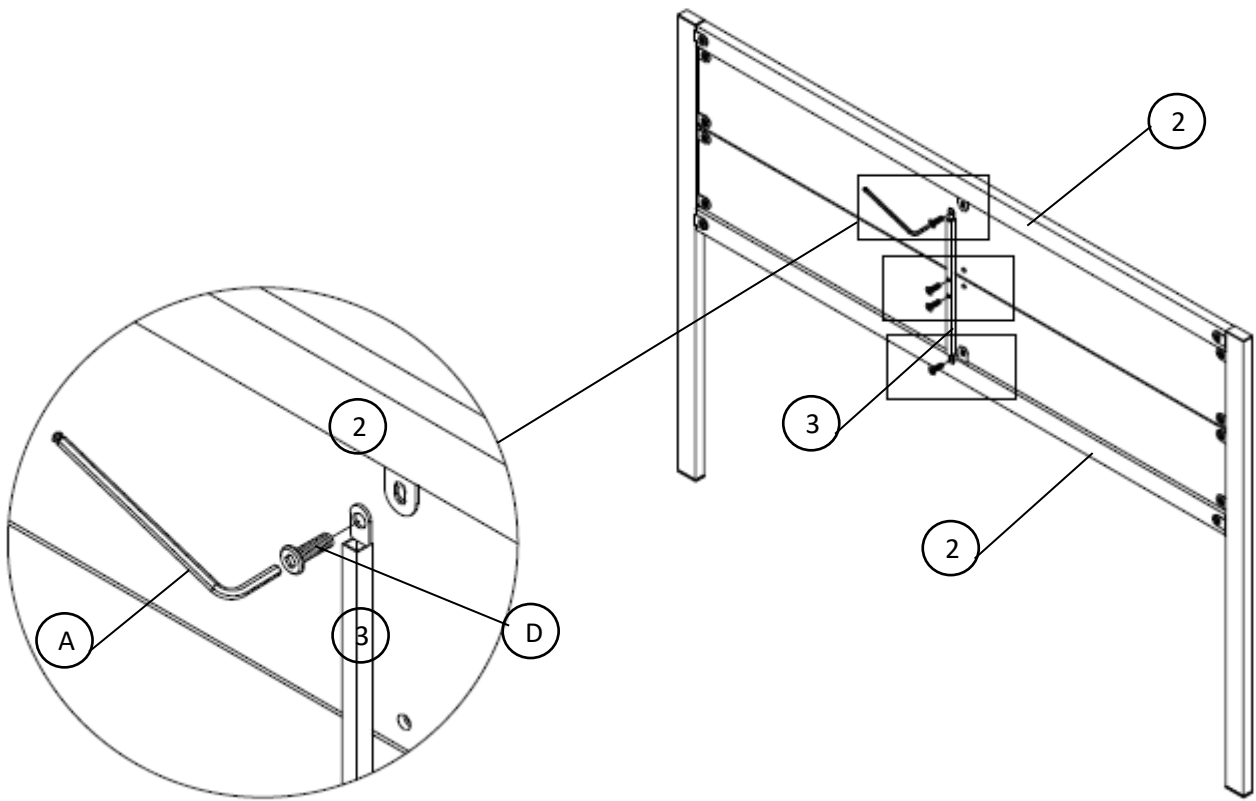
STEP 1 : Attach the (1) to (2) with (E) using Allen Key M4 (A) as shown.



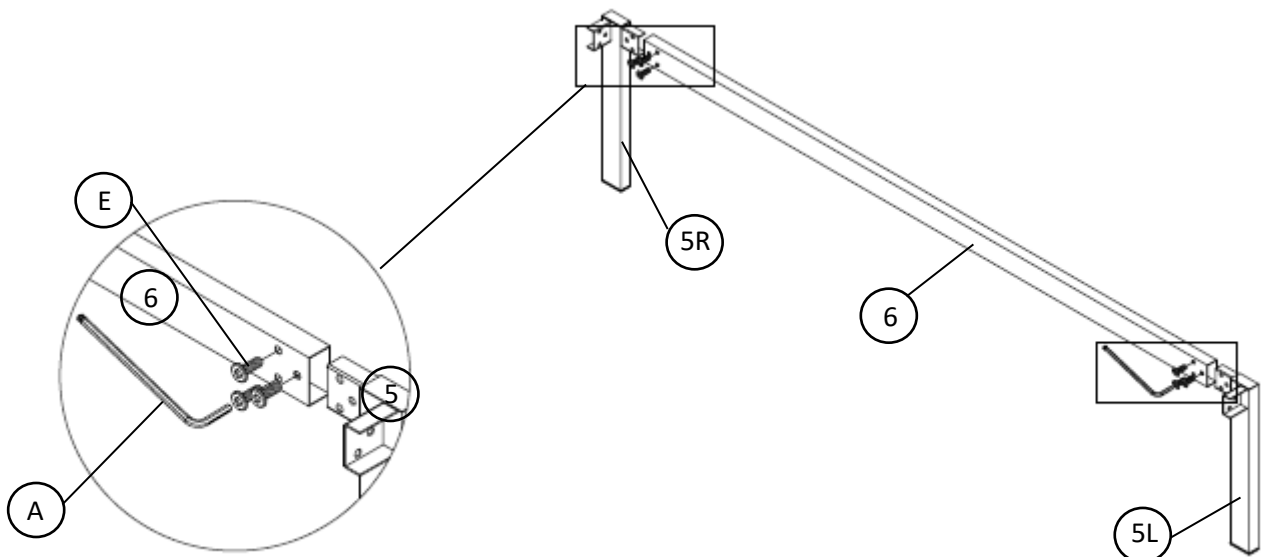
STEP 2 : Attach the (4) to Assembled Headboard using (F) with an Allen Key M4 (A) as shown.



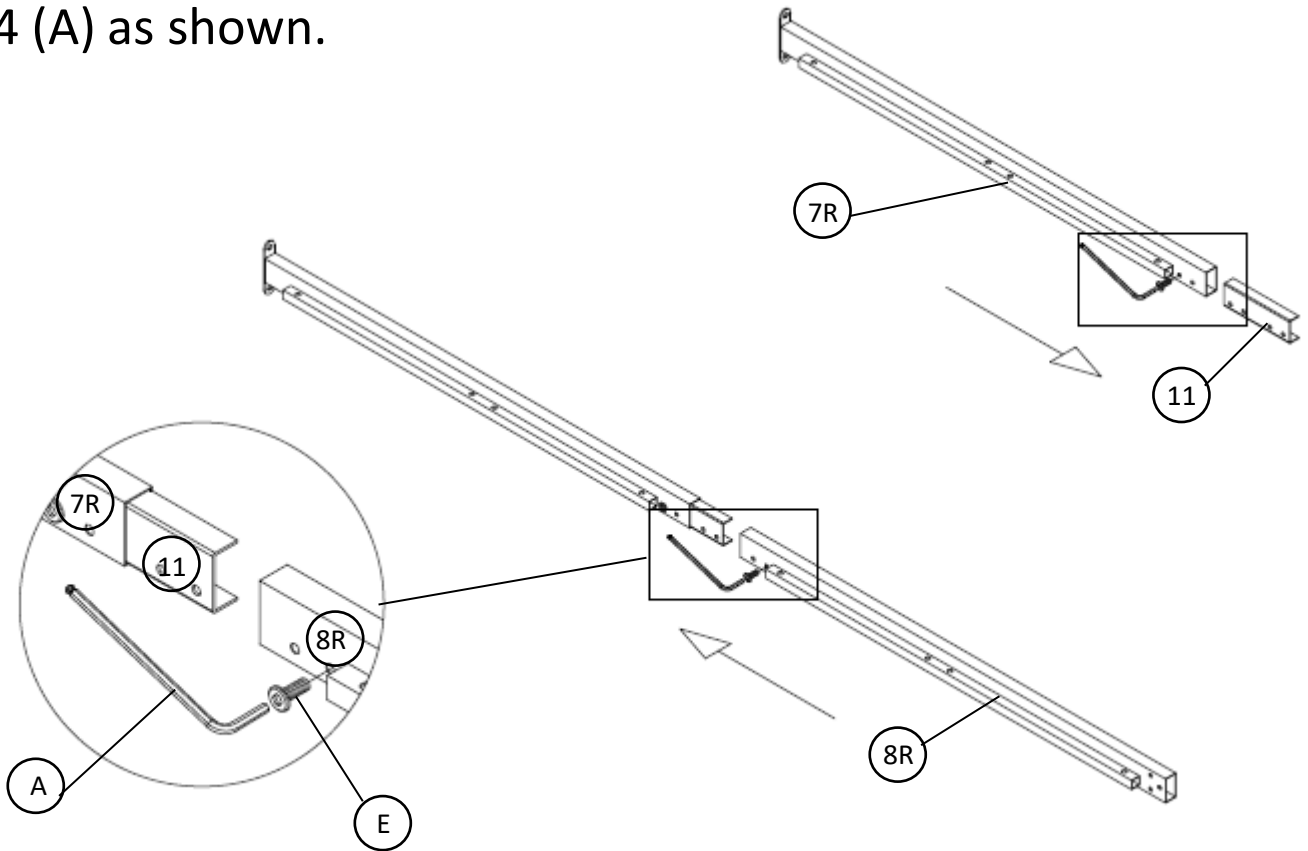
STEP 3 : Attach (3) to (2) by using (D) with an Allen Key M4 (A) as shown.



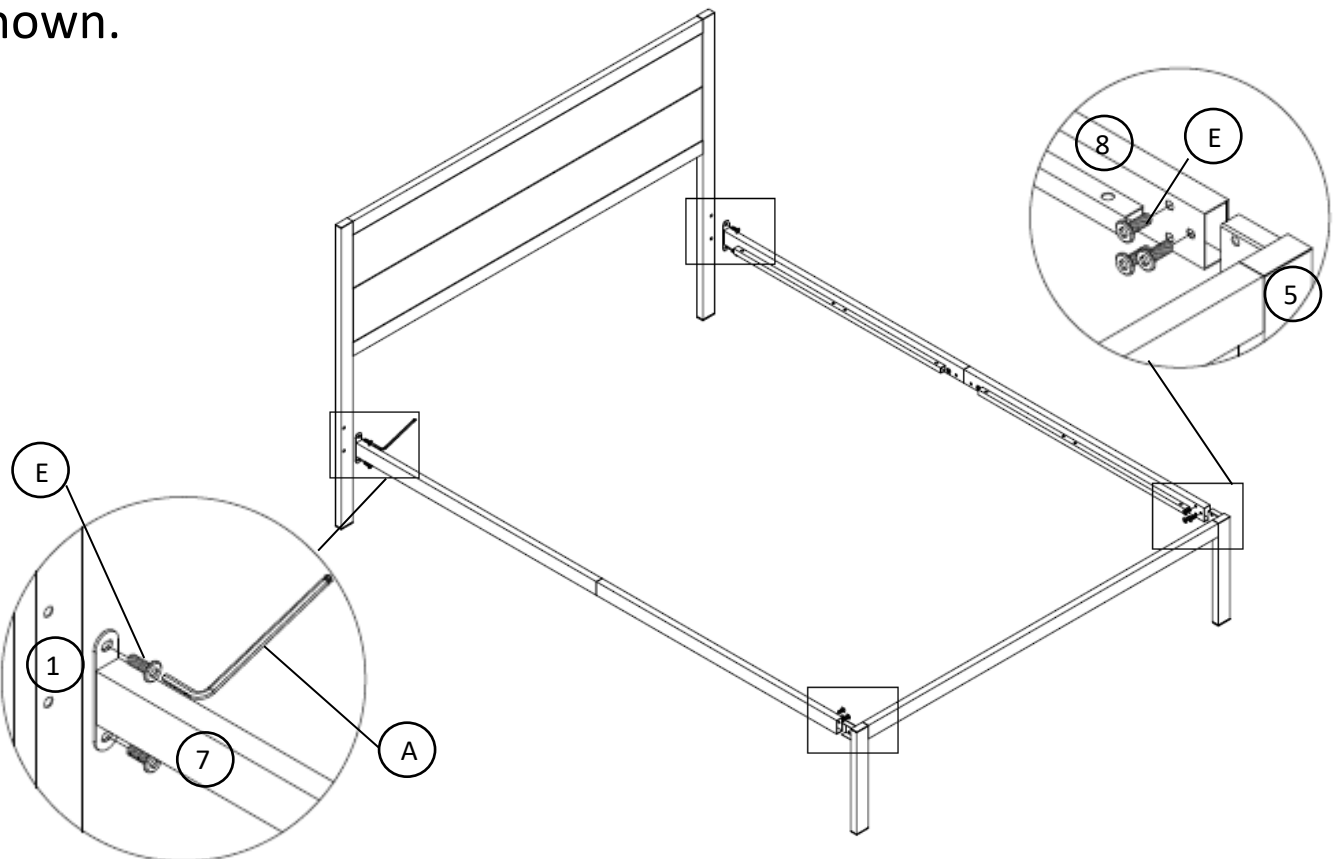
STEP 4 : Attach the (5) to (6) with (E) using Allen Key M4 (A) as shown.



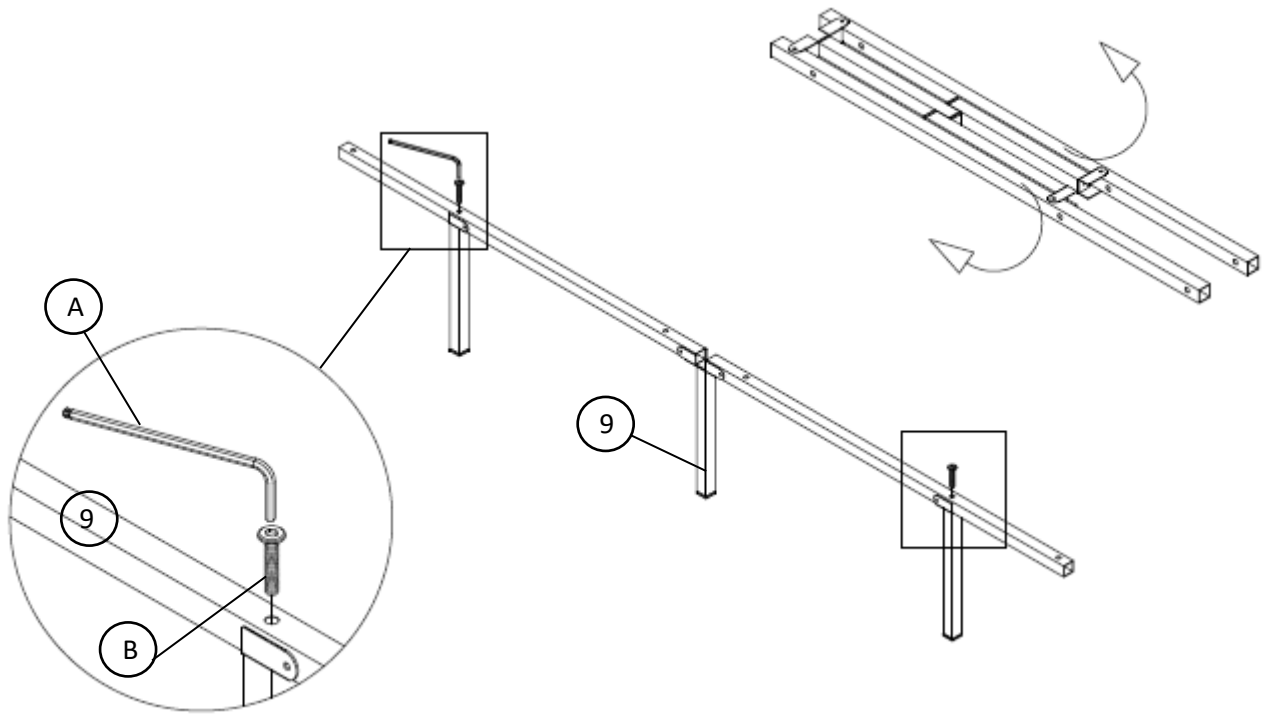
STEP 5 : Attach the (7) and (8) to (11) using (E) with an Allen Key M4 (A) as shown.



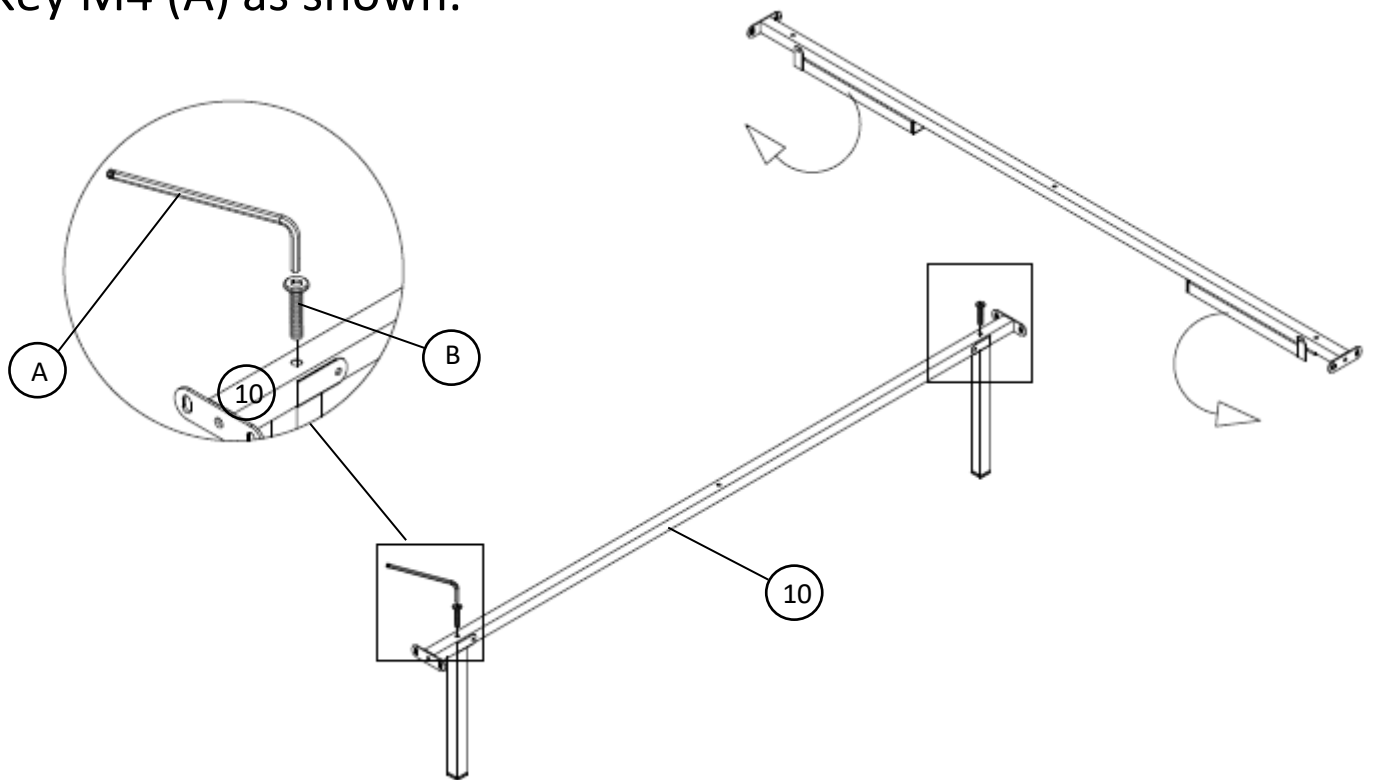
STEP 6 : Attach Assembled Headboard and Footboard to Assembled Side Rail by using (E) with an Allen Key M4 (A) as shown.



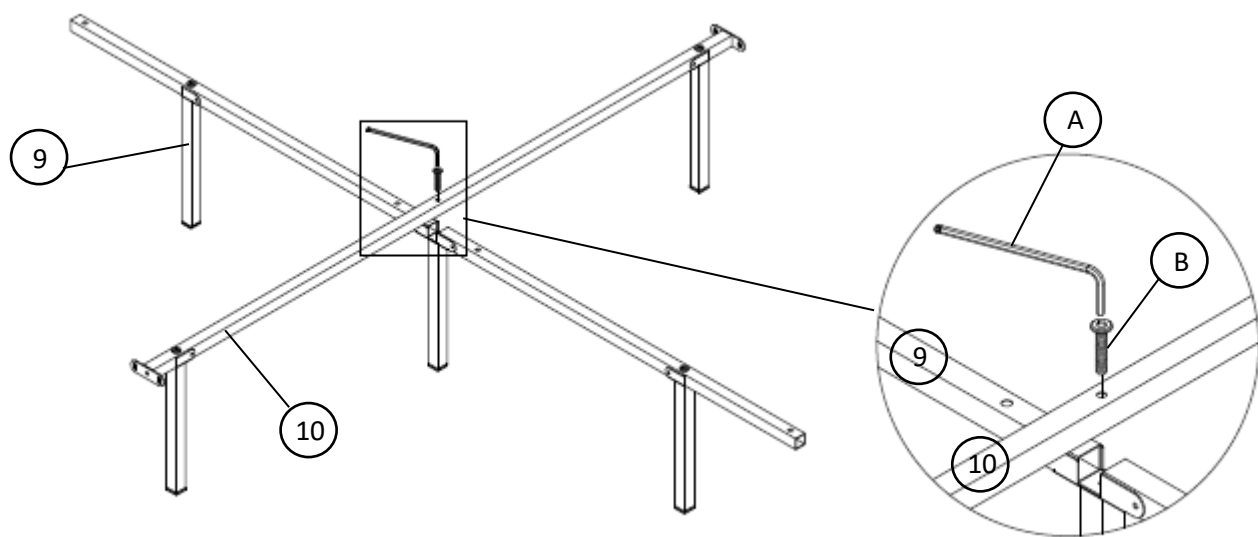
STEP 7 : Unfold (9). Then, support leg using (B) with an Allen Key M4 (A) as shown.



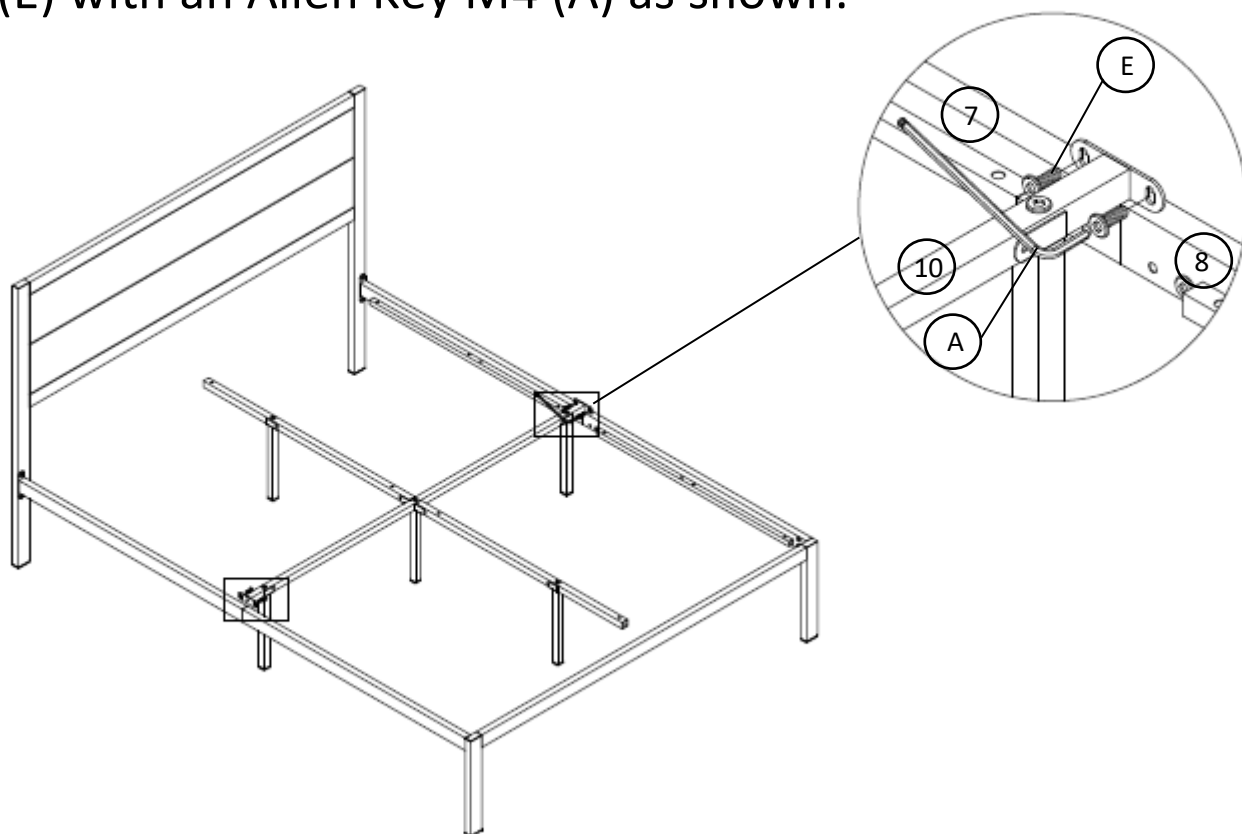
STEP 8 : Unfold (10). Then, support leg using (B) with an Allen Key M4 (A) as shown.



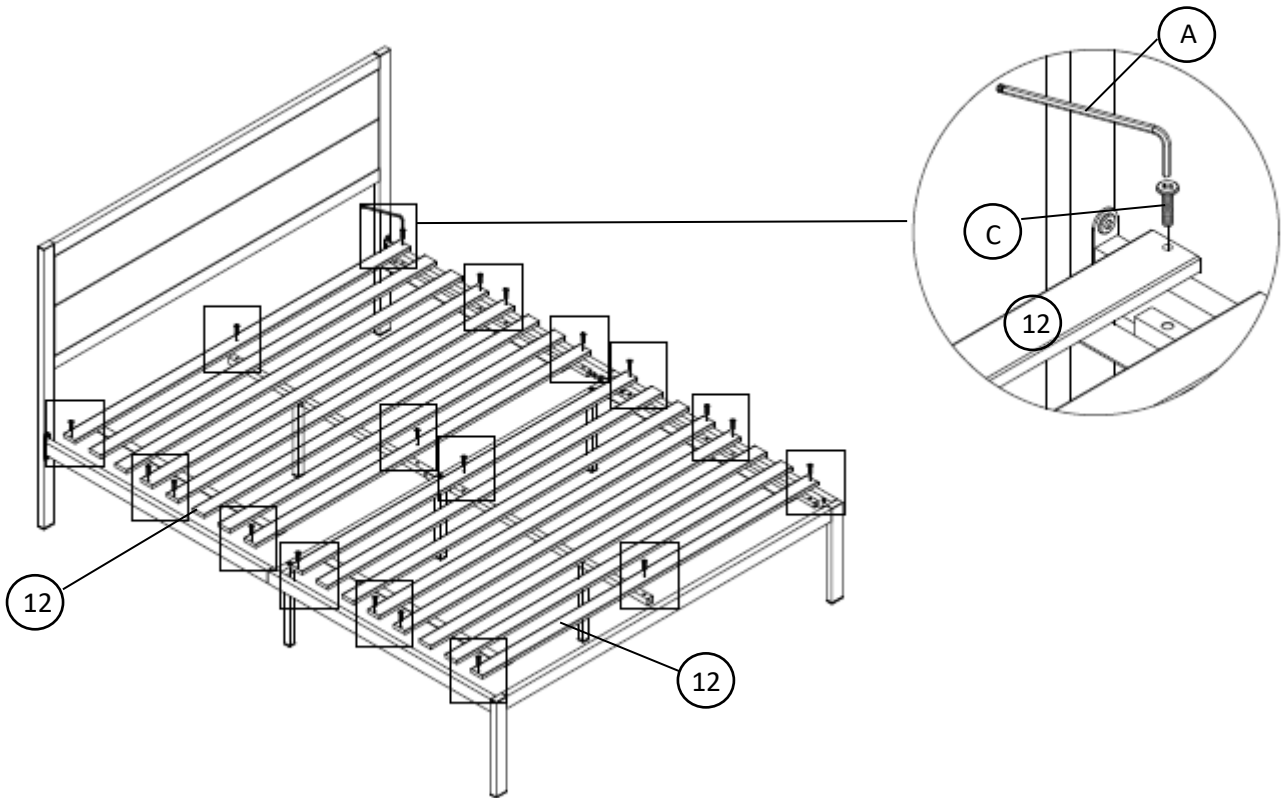
STEP 9 : Attach the (9) to (10) using (B) with an Allen Key M4 (A) as shown.



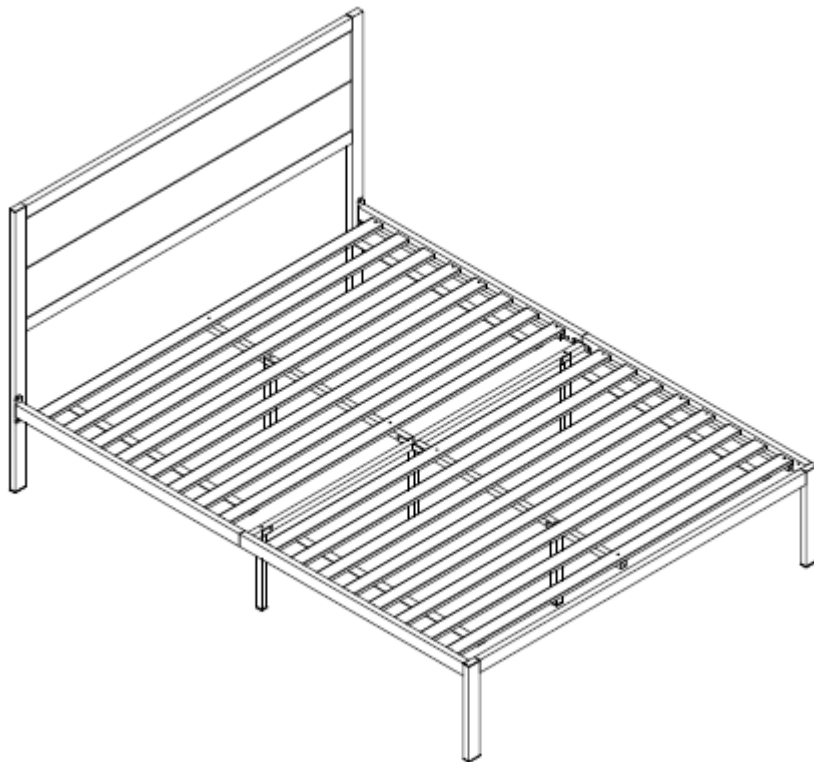
STEP 10 : Attach Assembled Rail to Assembled Bed Frame by using (E) with an Allen Key M4 (A) as shown.



STEP 11 : Attach Assembled Bed Slats to Assembled Bed Frame with (C) using an Allen Key M4 (A) as shown.



ASSEMBLY IS COMPLETE



CAUTION:

ALWAYS LIFT YOUR BED WHEN MOVING/RELOCATING - DO NOT DRAG.
DRAGGING CAN CAUSE THE CENTRE SUPPORT LEGS TO BEND/BREAK

PRODUCT CARE:

REGULAR CARE:

- Protect from direct sunlight
- Vacuum regularly using low suction
- Do not place sharp materials (knife, fork, etc.) directly onto your furniture as sharp material may scrape and damage the finish.
- Do not place material with high temperature directly onto the surface of your furniture.

CLEANING:

- Protect from direct sunlight
- Vacuum regularly using low suction
- Do not place sharp materials (knife, fork, etc.) directly onto your furniture as sharp material may scrape and damage the finish.
- Do not place material with high temperature directly onto the surface of your furniture.

SPOT CLEANING:

- Do not rub
- Do not spot clean with any solvent
- Treat spills and stains as soon as possible
- Gently scrape off any soil or blot any liquid from the surface of the fabric before applying cleaner
- Apply proprietary cleaning agents strictly according to instructions to remove the residue of the spill
- Do not saturate the fabric or interior with water or other cleaning liquids

WARNING:

Apply only water-based soil resist (fabric protection) treatments. Do not use aerosol products

*** PILLING IS NOT A FABRIC DEFECT OR FAULT AND IS NOT COVERED BY WARRANTY**

*** PILLING IS A NORMAL OCCURRENCE CAUSED BY WEAR AND TEAR AND DOES NOT AFFECT THE DURABILITY OR FUNCTIONALITY OF THE FABRIC AND IS EASILY REMOVED**